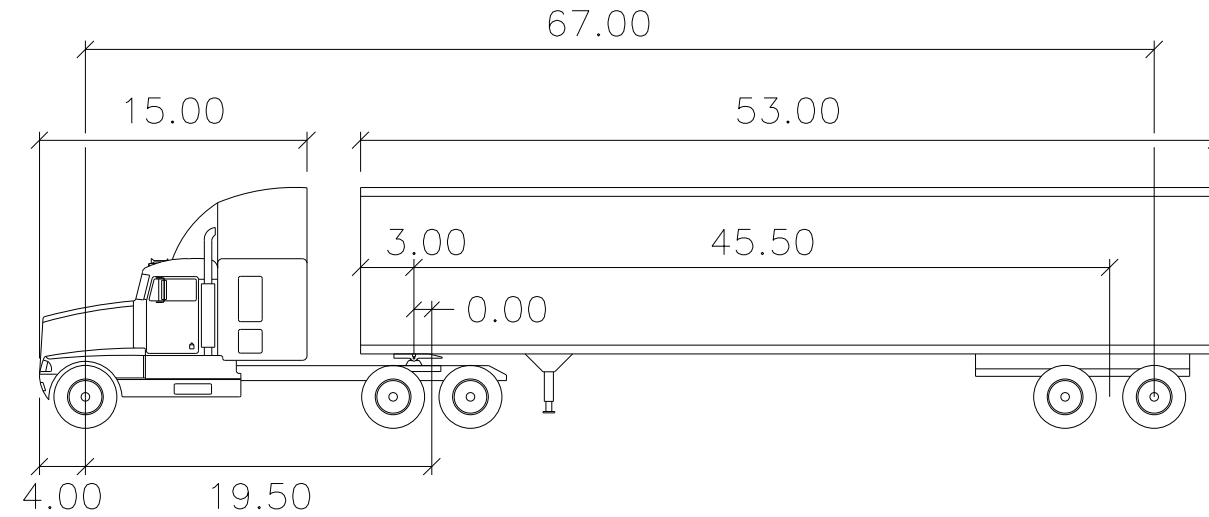


U:\193500653\Urban Land\Drawings\Truck Turning Movements\2007 NYSEG_11x17_sfb.dwg
By: Romelster, Scott



WB-67

feet

Tractor Width	: 8.00	Lock to Lock Time	: 6.0
Trailer Width	: 8.50	Steering Angle	: 28.4
Tractor Track	: 8.00	Articulating Angle	: 75.0
Trailer Track	: 8.50		

AASHTO 2011 (US)

ORIGINAL SHEET - ANSI B

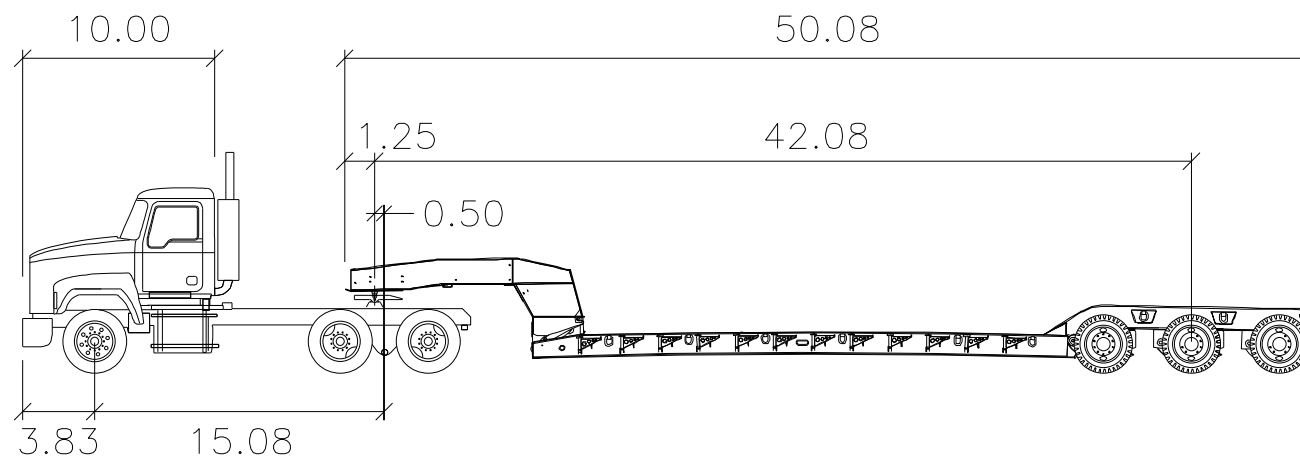


61 Commercial Street, Suite 100
Rochester, New York USA 14614
585.475.1440 www.stantec.com

Client/Project
NYPAs FRASER/COOPER SERIES
COMPENSATION PROJECT
DELHI, NEW YORK

EXHIBIT V-1

Title
DESIGN VEHICLE



Rogers CR50 Gooseneck

feet

Tractor Width	: 8.00	Lock to Lock Time	: 6.0
Trailer Width	: 8.50	Steering Angle	: 36.9
Tractor Track	: 8.00	Articulating Angle	: 70.0
Trailer Track	: 8.50		

U:\193500653\Urban Land\Drawings\Truck Turning Movements\2007 NYSEG_11x17_sfb.dwg
By: Romelster, Scott

ORIGINAL SHEET - ANSI B

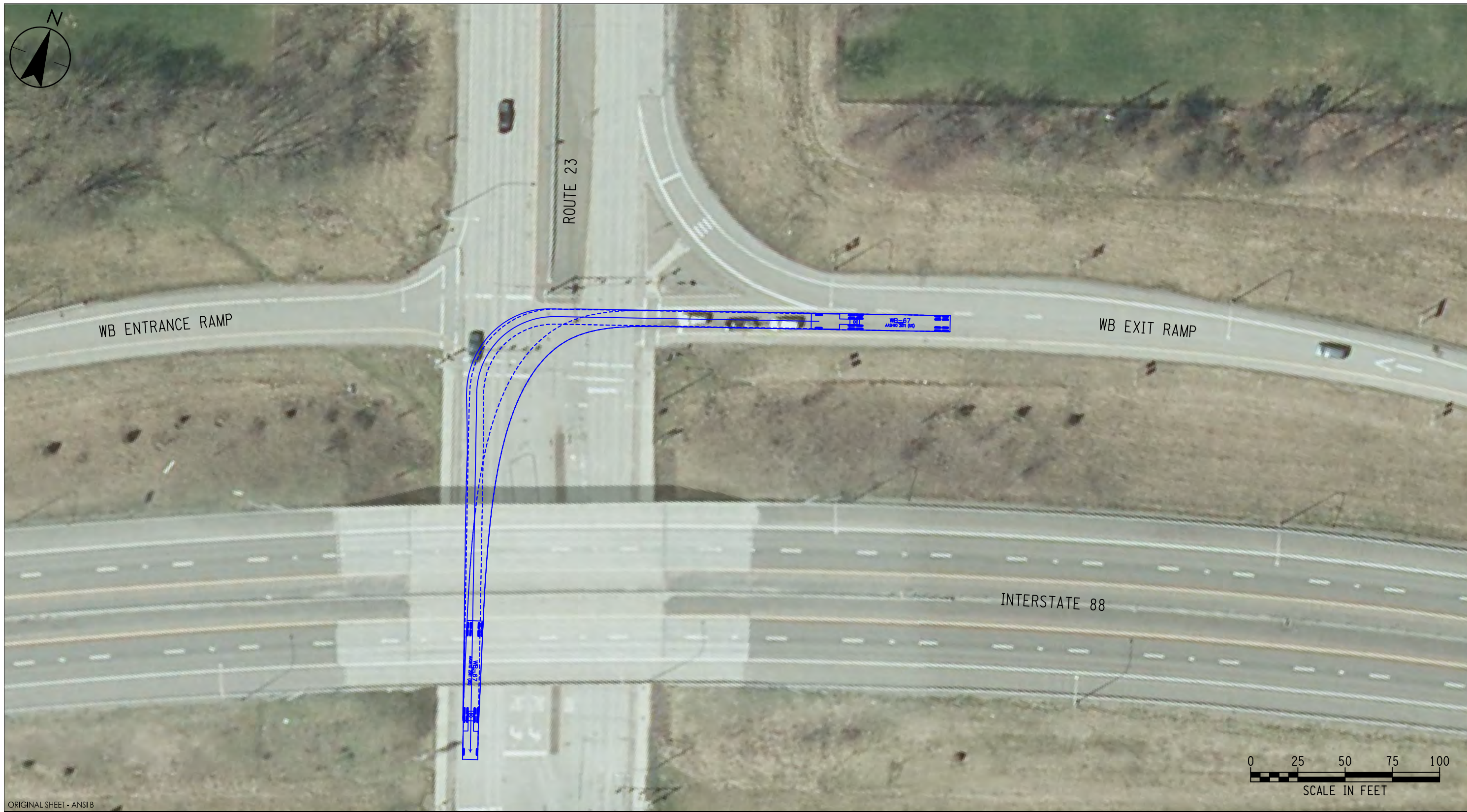


61 Commercial Street, Suite 100
Rochester, New York USA 14614
585.475.1440 www.stantec.com

Client/Project
NYP&A's FRASER/COOPER SERIES
COMPENSATION PROJECT
DELHI, NEW YORK

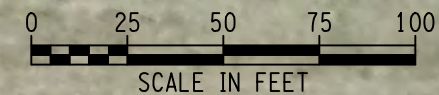
EXHIBIT V-2

Title
DESIGN VEHICLE



U:\193500653\Urban Land\Drawings\Truck Turning Movements\2007 NYSEG_11x17_sfb.dwg
 By: Romelster, Scott

ORIGINAL SHEET - ANSI B



61 Commercial Street, Suite 100
 Rochester, New York USA 14614
 585.475.1440 www.stantec.com

Client/Project
 NYPA's FRASER/COOPER SERIES
 COMPENSATION PROJECT
 DELHI, NEW YORK

EXHIBIT N-1A

Title
 INTERSTATE 88 WB / ROUTE 23 INTERSECTION



INTERSTATE 88

ROUTE 23

EB EXIT RAMP

EB ENTRANCE RAMP

WB-67
ANNO 2011 (R)

WB-67
ANNO 2011 (R)



U:\193500653\Urban Land\Drawings\Truck Turning Movements\2007 NYSEG_11x17_sfb.dwg
By: Romelster, Scott

ORIGINAL SHEET - ANSI B



61 Commercial Street, Suite 100
Rochester, New York USA 14614
585.475.1440 www.stantec.com

Client/Project
NYP&A's FRASER/COOPER SERIES
COMPENSATION PROJECT
DELHI, NEW YORK

EXHIBIT N-1B

Title
INTERSTATE 88 EB / ROUTE 23 INTERSECTION

U:\193500653\Urban Land\Drawings\Truck Turning Movements\2007 NYSEG_11x17_sfb.dwg
By: Romelster, Scott



ORIGINAL SHEET - ANS1B



61 Commercial Street, Suite 100
 Rochester, New York USA 14614
 585.475.1440 www.stantec.com

Client/Project
 NYPA's FRASER/COOPER SERIES
 COMPENSATION PROJECT
 DELHI, NEW YORK

EXHIBIT N-2

Title
 ROUTE 23 / ROUTE 28 INTERSECTION



U:\193500653\Urban Land\Drawings\Truck Turning Movements\2007 NYSEG_11x17_sfb.dwg
By: Romelster, Scott

ORIGINAL SHEET - ANSI B



61 Commercial Street, Suite 100
Rochester, New York USA 14614
585.475.1440 www.stantec.com

Client/Project
NYPA's FRASER/COOPER SERIES
COMPENSATION PROJECT
DELHI, NEW YORK

EXHIBIT N-3

Title
ROUTE 23 / ROUTE 28 INTERSECTION

U:\193500653\Urban Land\Drawings\Truck Turning Movements\2007 NYSEG_11x17_sfb.dwg
By: Romelster, Scott



ORIGINAL SHEET - ANSI B



61 Commercial Street, Suite 100
 Rochester, New York USA 14614
 585.475.1440 www.stantec.com

Client/Project
 NYPA's FRASER/COOPER SERIES
 COMPENSATION PROJECT
 DELHI, NEW YORK

EXHIBIT N-4

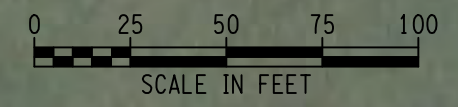
Title
 ROUTE 28 / ROUTE 10 INTERSECTION



HAMDEN HILL ROAD

ROUTE 10

ROUTE 10



U:\193500653\Urban Land\Drawings\Truck Turning Movements\2007 NYSEG_11x17_sfb.dwg
By: Romelster, Scott

ORIGINAL SHEET - ANSI B



61 Commercial Street, Suite 100
Rochester, New York USA 14614
585.475.1440 www.stantec.com

Client/Project
NYP&A's FRASER/COOPER SERIES
COMPENSATION PROJECT
DELHI, NEW YORK

Title
EXHIBIT N-5
ROUTE 10 / HAMDEN HILL ROAD INTERSECTION



U:\193500653\Urban Land\Drawings\Truck Turning Movements\2007 NYSEG_11x17_sfb.dwg
By: Romelster, Scott

ORIGINAL SHEET - ANSI B



61 Commercial Street, Suite 100
Rochester, New York USA 14614
585.475.1440 www.stantec.com

Client/Project
NYP&A's FRASER/COOPER SERIES
COMPENSATION PROJECT
DELHI, NEW YORK

EXHIBIT S-1A

Title
ROUTE 17 EB / ROUTES 8 & 10 INTERSECTION



U:\193500653\Urban Land\Drawings\Truck Turning Movements\2007 NYSEG_11x17_sfb.dwg
By: Romelster, Scott

ORIGINAL SHEET - ANSI B



61 Commercial Street, Suite 100
Rochester, New York USA 14614
585.475.1440 www.stantec.com

Client/Project
NYP&A's FRASER/COOPER SERIES
COMPENSATION PROJECT
DELHI, NEW YORK

EXHIBIT S-1B

Title
ROUTE 17 WB / ROUTES 8 & 10 INTERSECTION

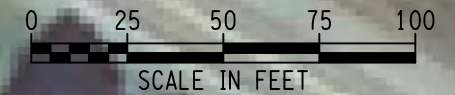


LAUREL BANK ROAD

ROUTE 8

ROUTES 8 & 10

ROUTE 10



U:\193500653\Urban Land\Drawings\Truck Turning Movements\2007 NYSEG_11x17_sfb.dwg
By: Romelster, Scott

ORIGINAL SHEET - ANSI B

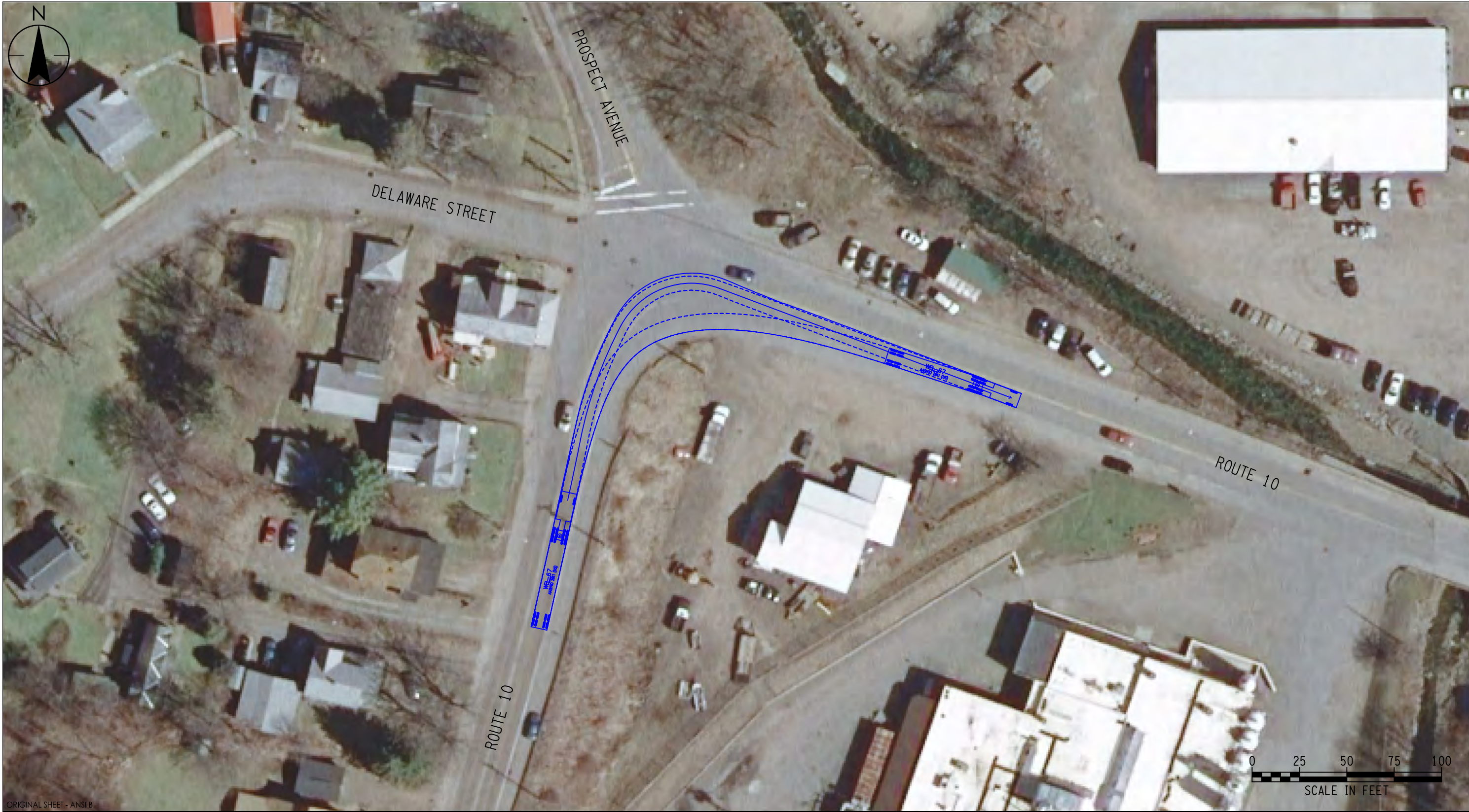


61 Commercial Street, Suite 100
Rochester, New York USA 14614
585.475.1440 www.stantec.com

Client/Project
NYPA's FRASER/COOPER SERIES
COMPENSATION PROJECT
DELHI, NEW YORK

EXHIBIT S-2

Title
ROUTE 8 / ROUTE 10 INTERSECTION



U:\193500653\Urban Land\Drawings\Truck Turning Movements\2007 NYSEG_11x17_sfb.dwg
 By: Romelster, Scott

ORIGINAL SHEET - ANSI B



61 Commercial Street, Suite 100
 Rochester, New York USA 14614
 585.475.1440 www.stantec.com

Client/Project
 NYPA's FRASER/COOPER SERIES
 COMPENSATION PROJECT
 DELHI, NEW YORK

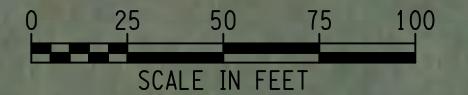
EXHIBIT S-3

Title
 ROUTE 10 / DELAWARE STREET INTERSECTION



U:\193500653\Urban Land\Drawings\Truck Turning Movements\2007 NYSEG_11x17_sfb.dwg
By: Romelster, Scott

ORIGINAL SHEET - ANSI B



61 Commercial Street, Suite 100
Rochester, New York USA 14614
585.475.1440 www.stantec.com

Client/Project
NYPA's FRASER/COOPER SERIES
COMPENSATION PROJECT
DELHI, NEW YORK

EXHIBIT S-4

Title
ROUTE 10 / HAMDEN HILL ROAD INTERSECTION

U:\193500653\Urban Land\Drawings\Truck Turning Movements\2007 NYSEG_11x17_sfb.dwg
By: Romelster, Scott



ORIGINAL SHEET - ANSI B



61 Commercial Street, Suite 100
Rochester, New York USA 14614
585.475.1440 www.stantec.com

Client/Project
NYP&A's FRASER/COOPER SERIES
COMPENSATION PROJECT
DELHI, NEW YORK

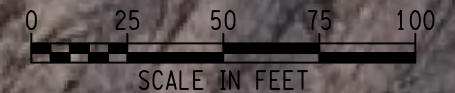
EXHIBIT H-1

Title
HAMDEN HILL ROAD ACCESS



U:\193500653\Urban Land\Drawings\Truck Turning Movements\2007 NYSEG_11x17_sfb.dwg
By: Romelster, Scott

ORIGINAL SHEET - ANSI B



61 Commercial Street, Suite 100
Rochester, New York USA 14614
585.475.1440 www.stantec.com

Client/Project
NYP&A's FRASER/COOPER SERIES
COMPENSATION PROJECT
DELHI, NEW YORK

EXHIBIT H-2

Title
HAMDEN HILL ROAD ACCESS

U:\193500653\Urban Land\Drawings\Truck Turning Movements\2007 NYSEG_11x17_sfb.dwg
By: Romelster, Scott



ORIGINAL SHEET - ANSI B



61 Commercial Street, Suite 100
Rochester, New York USA 14614
585.475.1440 www.stantec.com

Client/Project
NYPA's FRASER/COOPER SERIES
COMPENSATION PROJECT
DELHI, NEW YORK

Title
EXHIBIT H-3
HAMDEN HILL ROAD ACCESS