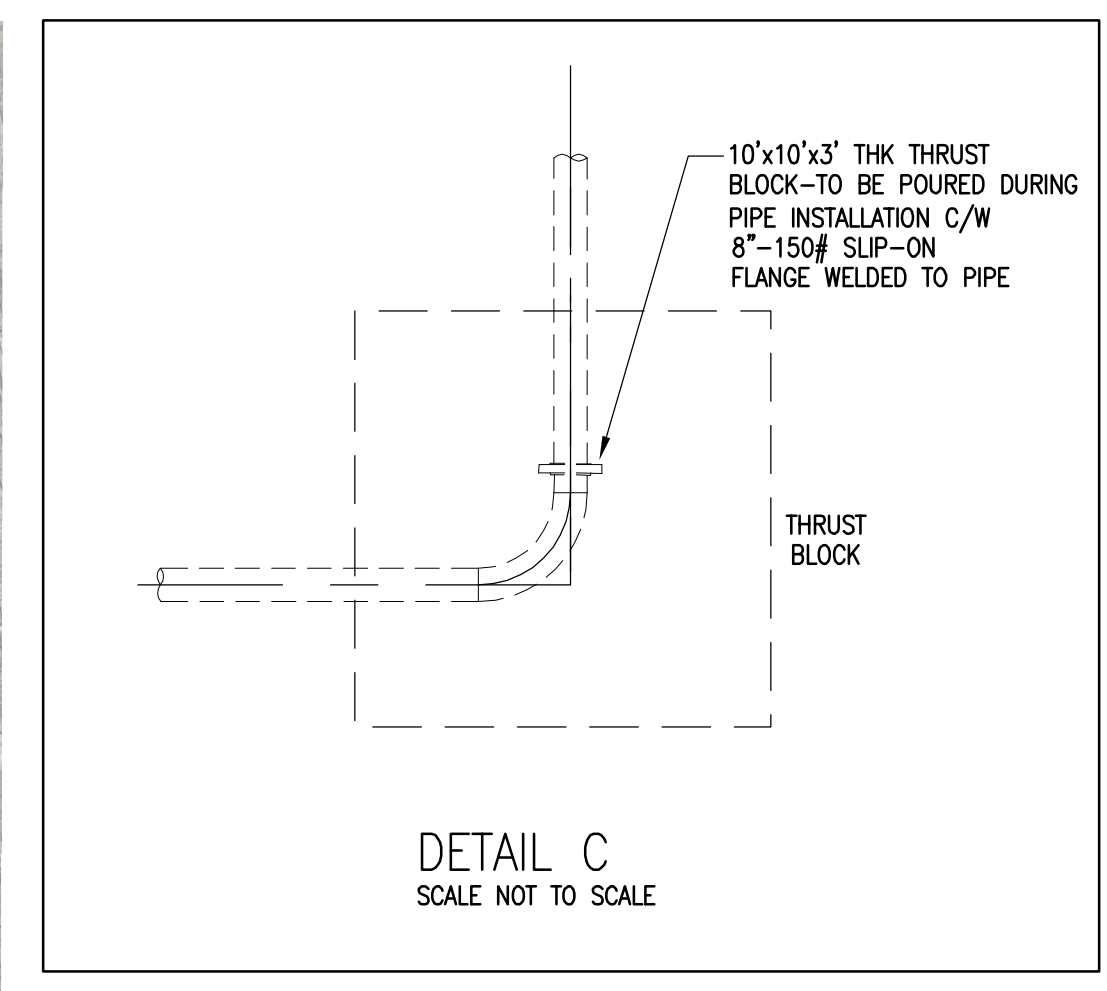
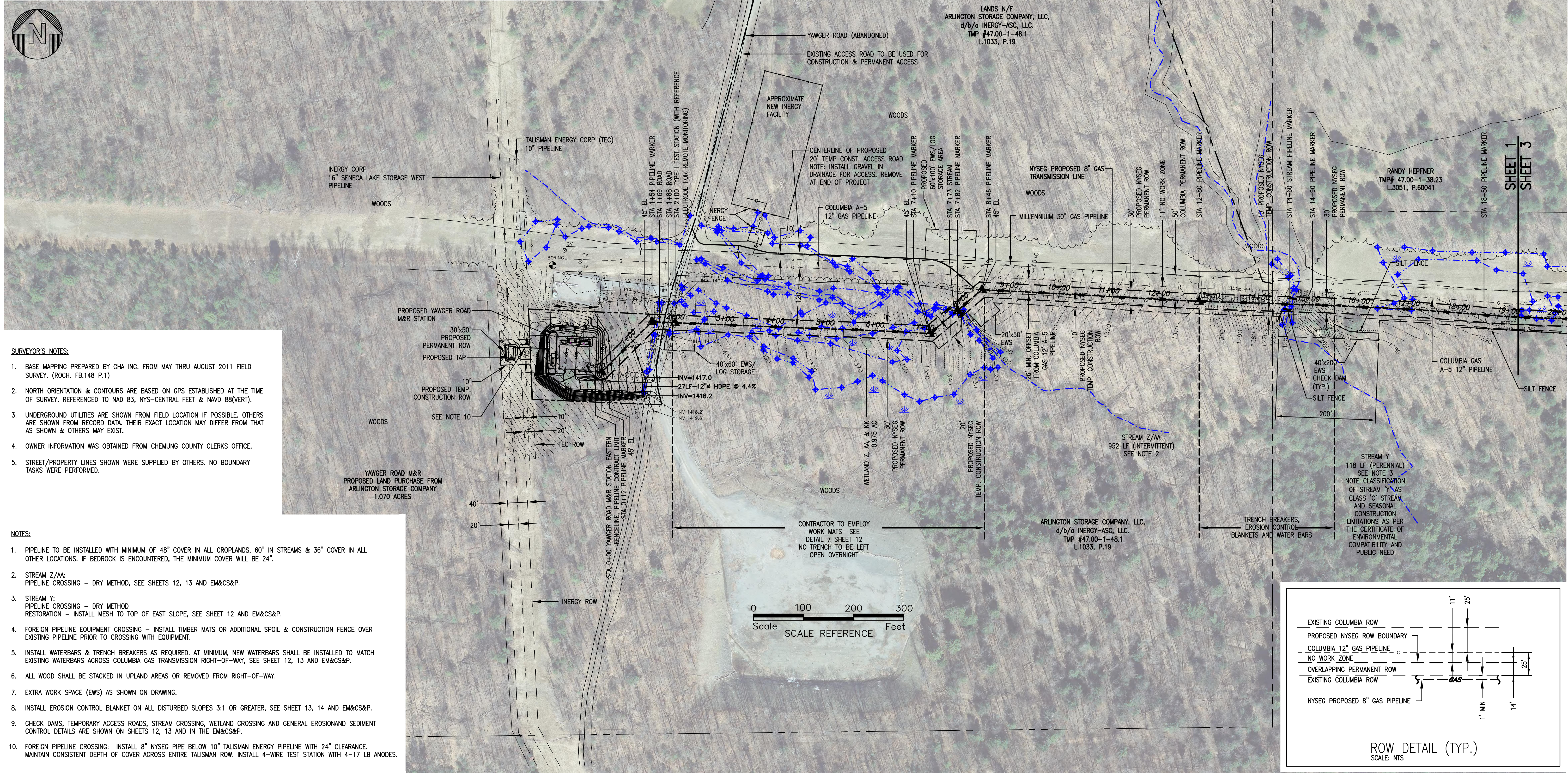


DETAIL B
SCALE 1:20
SEE DWG 6172-5101 SHEET 11
FOR FURTHER DETAILS



DETAIL C
SCALE NOT TO SCALE

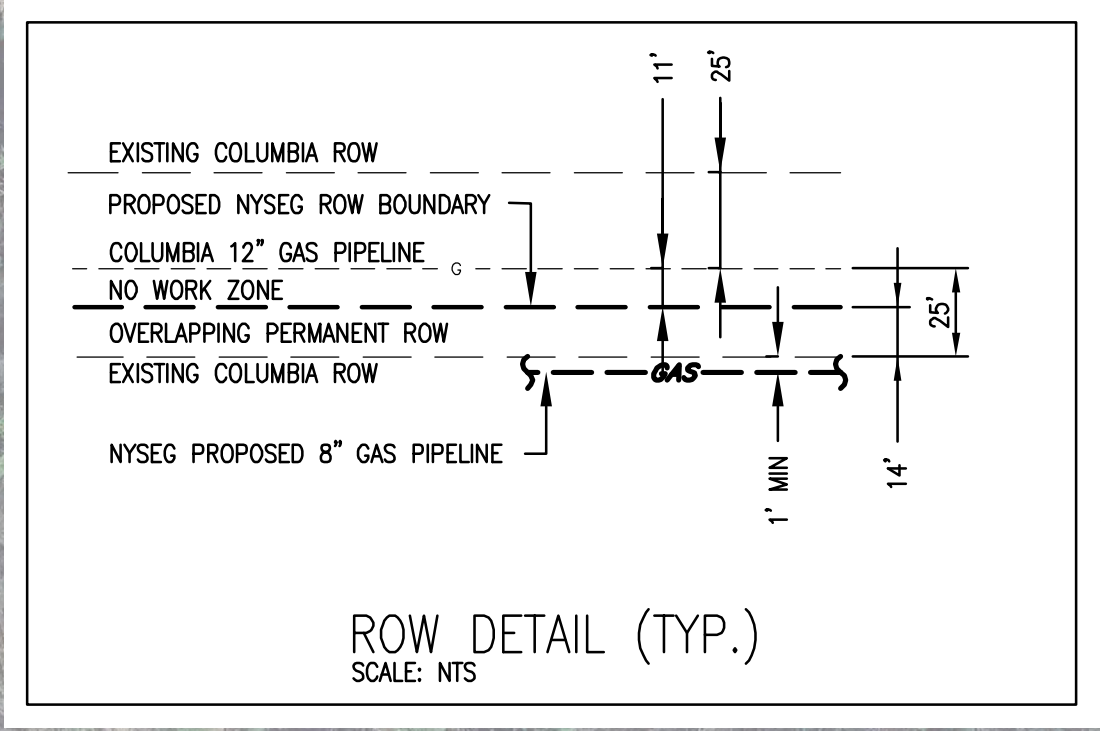
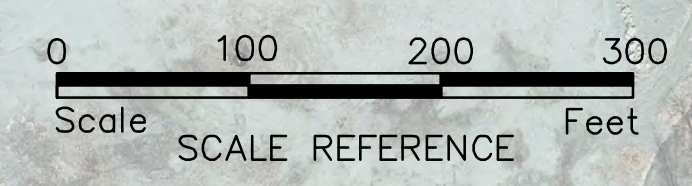


SURVEYOR'S NOTES:

1. BASE MAPPING PREPARED BY CHA INC. FROM MAY THRU AUGUST 2011 FIELD SURVEY. (ROCH. FB.148 P.1)
2. NORTH ORIENTATION & CONTOURS ARE BASED ON GPS ESTABLISHED AT THE TIME OF SURVEY. REFERENCED TO NAD 83, NYS-CENTRAL FEET & NAVD 88(VERT).
3. UNDERGROUND UTILITIES ARE SHOWN FROM FIELD LOCATION IF POSSIBLE. OTHERS ARE SHOWN FROM RECORD DATA. THEIR EXACT LOCATION MAY DIFFER FROM THAT AS SHOWN & OTHERS MAY EXIST.
4. OWNER INFORMATION WAS OBTAINED FROM CHEMUNG COUNTY CLERKS OFFICE.
5. STREET/PROPERTY LINES SHOWN WERE SUPPLIED BY OTHERS. NO BOUNDARY TASKS WERE PERFORMED.

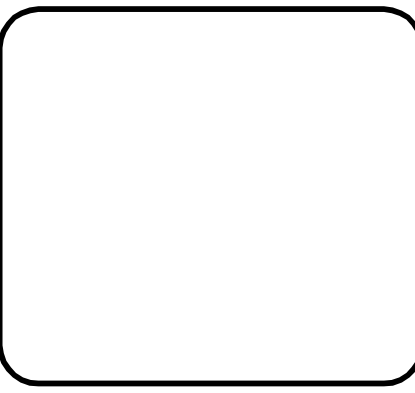
NOTES:

1. PIPELINE TO BE INSTALLED WITH MINIMUM OF 48" COVER IN ALL CROPLANDS, 60" IN STREAMS & 36" COVER IN ALL OTHER LOCATIONS. IF BEDROCK IS ENCOUNTERED, THE MINIMUM COVER WILL BE 24".
2. STREAM Z/AA: PIPELINE CROSSING - DRY METHOD, SEE SHEETS 12, 13 AND EM&CS&P.
3. STREAM Y: PIPELINE CROSSING - DRY METHOD RESTORATION - INSTALL MESH TO TOP OF EAST SLOPE, SEE SHEET 12 AND EM&CS&P.
4. FOREIGN PIPELINE EQUIPMENT CROSSING - INSTALL TIMBER MATS OR ADDITIONAL SPOIL & CONSTRUCTION FENCE OVER EXISTING PIPELINE PRIOR TO CROSSING WITH EQUIPMENT.
5. INSTALL WATERBARS & TRENCH BREAKERS AS REQUIRED. AT MINIMUM, NEW WATERBARS SHALL BE INSTALLED TO MATCH EXISTING WATERBARS ACROSS COLUMBIA GAS TRANSMISSION RIGHT-OF-WAY, SEE SHEET 12, 13 AND EM&CS&P.
6. ALL WOOD SHALL BE STACKED IN UPLAND AREAS OR REMOVED FROM RIGHT-OF-WAY.
7. EXTRA WORK SPACE (EWS) AS SHOWN ON DRAWING.
8. INSTALL EROSION CONTROL BLANKET ON ALL DISTURBED SLOPES 3:1 OR GREATER, SEE SHEET 13, 14 AND EM&CS&P.
9. CHECK DAMS, TEMPORARY ACCESS ROADS, STREAM CROSSING, WETLAND CROSSING AND GENERAL EROSION AND SEDIMENT CONTROL DETAILS ARE SHOWN ON SHEETS 12, 13 AND IN THE EM&CS&P.
10. FOREIGN PIPELINE CROSSING: INSTALL 8" NYSEG PIPE BELOW 10" TALISMAN ENERGY PIPELINE WITH 24" CLEARANCE. MAINTAIN CONSISTENT DEPTH OF COVER ACROSS ENTIRE TALISMAN ROW. INSTALL 4-WIRE TEST STATION WITH 4-17 LB ANODES.

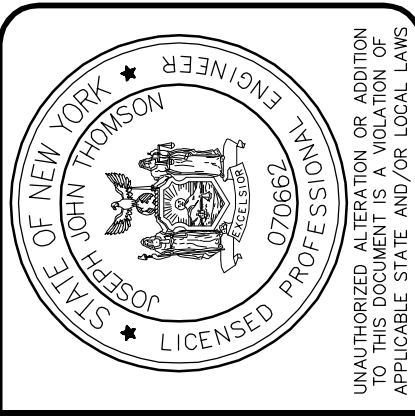


ROW DETAIL (TYP.)
SCALE: NTS

No.	By	Date	App'd	Revision	Submitted / Revision
0	JH	06/20/12	JH	ISSUED FOR BID	
1	JH	8/1/12	JH	FINAL-ISSUED FOR BID	
2	JH	9/14/12	JH	FINAL-ISSUED FOR BID	



NYSEG
GAS BUSINESS UNIT
KIRKWOOD, N.Y.



Design: JH
 Drawn: DDL
 Checked: JH

SENECA WEST PIPELINE INTERCONNECT
 CIVIL ALIGNMENT PLAN
 Project No.: 22867
 Scale: AS SHOWN
 Issue Date: 04/2012

File: V:\PROJECTS\NYK2\22867\DATA\OTHER\BASE DRAWINGS\110913\SENECA-1\IMG_CHA.DWG
 Saved: 10/9/2012 7:35:37 AM Plotted: 10/29/2012 7:40:44 AM User: Markham, Gary LastSavedBy: 1393